

XED *e***XTREME** **DUTY**

compact attachments

Sales & Fabrication

Catalog



EQUIPMENT LINEUP



- 1. CONSTRUCTION AUGER**
- 2. FENCING AUGER**
- 3. EARTH AUGER**
- 4. AUGER CUSTOMIZATION**
- 5. HALO AUGER DRIVE**
- 6. AUGER DRIVE**
- 7. TRUSS BOOM**
- 8. POST SETTER**
- 9. BRUSH CUTTER**
- 10. VERSA FLAT DECK BRUSH CUTTER**
- 11. VERSA OPEN FRONT BRUSH CUTTER**
- 12. HEAVY DUTY STUMP BUCKET**
- 13. X-TREME DUTY STUMP BUCKET**
- 14. X-TREME DUTY STUMP GRAPPLE**
- 15. LONG BOTTOM BUCKET**
- 16. LOW PROFILE BUCKET**
- 17. SNOW & LITTER BUCKET**
- 18. ECONOMY GRAPPLE BUCKET**
- 19. HEAVY-DUTY GRAPPLE BUCKET**
- 20. HEAVY DUTY ROOT GRAPPLE**
- 21. STANDARD DUTY VERSA ROCK BUCKET**
- 22. HEAVY DUTY ROCK GRAPPLE**
- 23. HEAVY DUTY GRAPPLE RAKE**
- 24. X-TREME DUTY GRAPPLE RAKE**
- 25. STANDARD DUTY FORKS & FRAME**
- 26. HEAVY DUTY FORKS & FRAME**
- 27. LOW BACK HAY SPEAR**



Manufactured in the USA

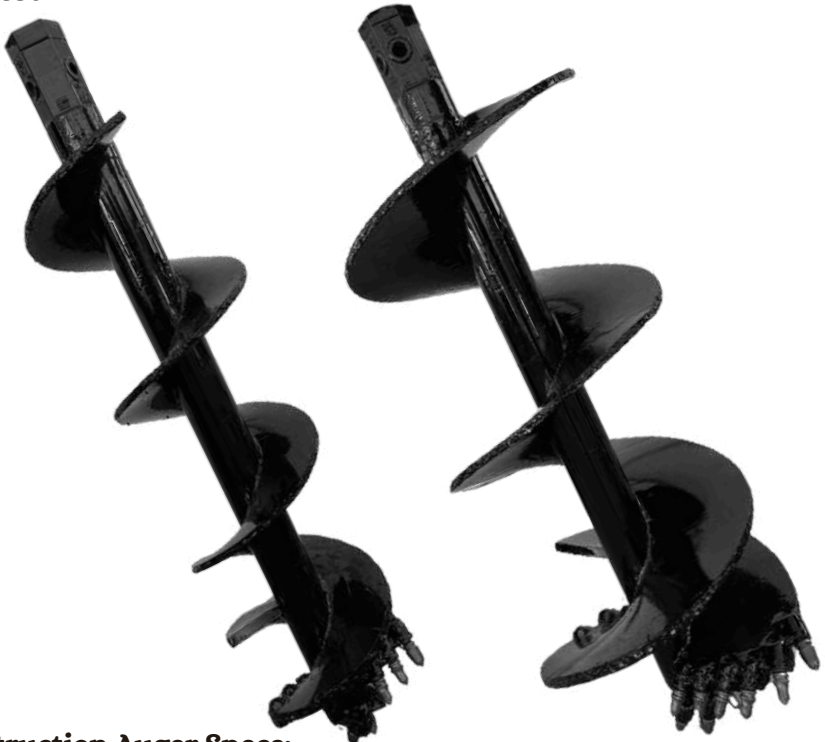
WWW.EXTREMEDUTYATTACHMENTS.COM

570-367-1851

CONSTRUCTION AUGERS

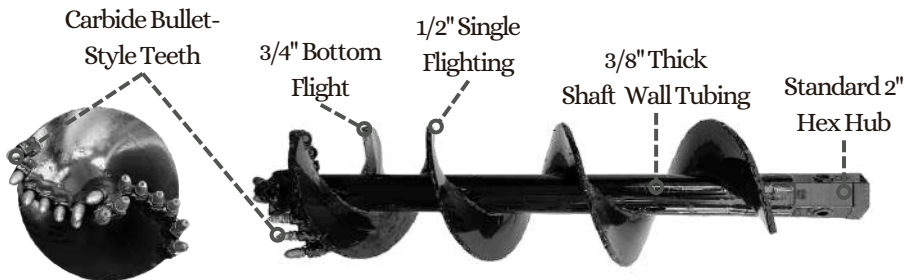


Extreme Duty manufactures their own augers right here in Central Pennsylvania. Designed for the hardest jobs, these augers will cut through almost anything. Featuring hardened-surface outer edge and carbide bullet-style teeth. Comes standard with 2" hex hub. Additional hub options available upon request



Construction Auger Specs:

48" Long x 6", 9", 12", 18", or 24" Diameter



Manufactured in the USA

WWW.EXTREMEDUTYATTACHMENTS.COM

570-367-1851

FENCING AUGERS



Fencing augers are designed to drill through tough materials over and over again. Manufactured in Central Pennsylvania, these are some of the toughest augers around. Hard surface outer edge, solid center shaft, AR400 double flighting carbide bullet-style teeth. Standard 2" hex hub. Additional hub options available upon request

Fencing Auger Specs:

48" Long x 4-1/2" or 6" Diameter



Manufactured in the USA

WWW.EXTREMEDUTYATTACHMENTS.COM

570-367-1851

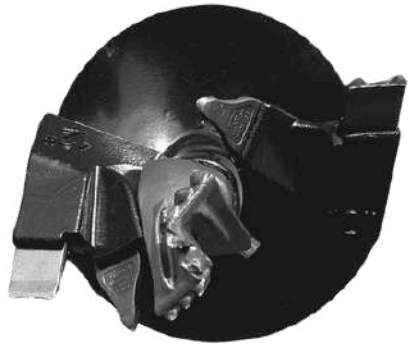
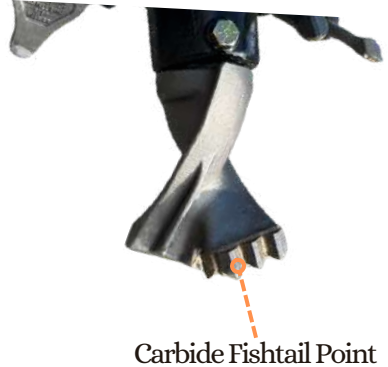
EARTH AUGERS



Earth augers are designed to dig through soil with low-stone content to create an efficient and quick-digging auger. Carbide center-bore and carbide teeth cut through loose materials with ease. Manufactured in Central Pennsylvania, these dirt augers are double-welded, something other manufacturers skip, and are some of the toughest augers around. Standard 2" hex hub. Additional hub options available upon request

Fencing Auger Specs:

Length: 48" x Diameters: 9", 12", 18", 24" and 36"



Manufactured in the USA

WWW.EXTREMEDUTYATTACHMENTS.COM

570-367-1851

AUGER CUSTOMIZATIONS



Our augers can be fabricated custom to your specific needs, including custom lengths, diameters, hubs and more. We deliver quality, durability, and value in a way few of our competitors can match. Contact us today for a custom order quote.

Custom Hubs



2-9/16" Round Hub



2-1/2" Hex Hub

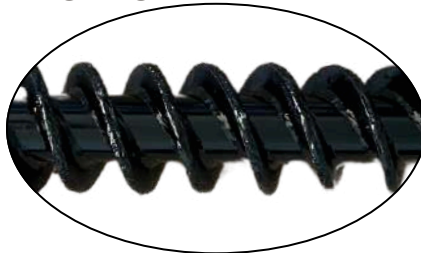


2" Hex Hub

Custom Diameters from 4"-36"



Full- Length Double Flighting



Carbide Teeth Options



C-21 - For soft to medium-hard material



C-21HD - For extremely hard rock & concrete



C-21FHD - Same strength as C-21HD
Wide collar for block protection



Manufactured in the USA

WWW.EXTREMEDUTYATTACHMENTS.COM

570-367-1851

HALO AUGER DRIVE ALIGNMENT



The Halo Alignment system enables the operator to visually see if the auger drive is off tilt in any direction. This increases efficiency and speed to drill perfectly straight holes every time. With no longer needing a spotter, you can reduce the your labor costs and completion time. Hex or round shaft options. 3300 ft lb of torque. 102 RPM, 15-25 gpm hydraulic flow. Excavator or skidsteer adapters. Magnetic battery pack or machine cab power options.



Scan code for video



Manufactured in the USA

WWW.EXTREMEDUTYATTACHMENTS.COM

570-367-1851

AUGER DRIVE



The custom hydraulic motors for attachments are lightweight, compact, and integrate into the input housing, connecting directly to the gearset to eliminate gearbox components. Optimized port placement enhances drilling, while the compact design supports longer augers or in-hole operation. Precision gears from high-grade alloy ensure durability, backed by advanced testing. A separate shaft and carrier isolates gears, offering top shaft pullout strength with a lifetime warranty and double the side load capacity of competitors. The two-piece shaft optimizes bearing performance under load for reliability. Available with skid steer or excavator attachment adapters. Round or Hex Shaft available.



Hex Shaft



Manufactured in the USA

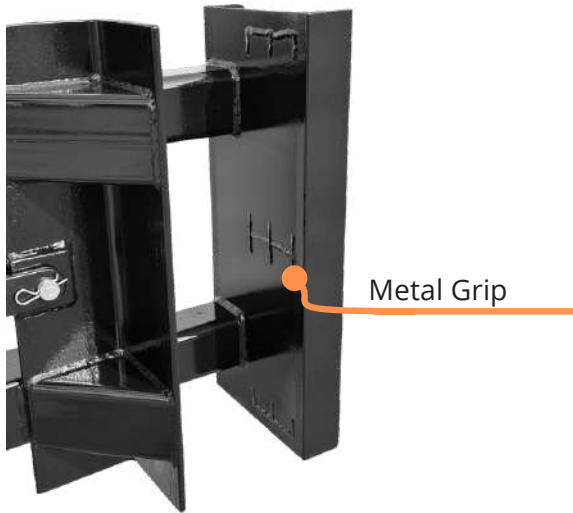
WWW.EXTREMEDUTYATTACHMENTS.COM

570-367-1851

POST SETTER



Designed and fabricated in-house, our Post Setters will increase the efficiency of your projects. Ram piston quickly opens and closes on your post, enabling you to pick up from the ground and place with precision. Our post setter is highly unique by its design, allowing the operator to place post with great visibility. Opens up to a giant 16" opening, it's easily capable of holding 600 lbs.



Manufactured in the USA

WWW.EXTREMEDUTYATTACHMENTS.COM

570-367-1851

TRUSS BOOM



Fabricated in-house, our truss booms are ready to extend your install services to the next level. With 2-6-feet of manual extension, the giant 72-inch long hydraulic piston extends the 10-foot boom for a total of 22 feet and 500 lbs of max. load capacity. Universal plate is adapted and ready for use on any equipment such as your skid steer or mini excavator.



2 Optional Hook Sizes



Manufactured in the USA

WWW.EXTREMEDUTYATTACHMENTS.COM

570-367-1851

BRUSH CUTTER



Our Brush Cutters are ideal for clearing light brush and saplings up to 6" or 7".



High Strength Three Blade - Bladeholder

Direct Drive Gearbox

3/16" Deck with 3/8" A36 Steel Bracing
1/4" Deck On High Flow Piston Option

Models	GPM	Case Drain	Motor	Blade Holder	Cut Capacity	Cut Diameter	Mulching Teeth
BXBC1626-60	16-26	No	Hi-Torque	3 Blade	6"	60"	Optional
BXBC1626-72	16-26	No	Hi-Torque	3 Blade	6"	72"	Optional
BXBC1626-78	16-26	No	Hi-Torque	3 Blade	6"	78"	Optional
BXBC2740-60	27-40	No	Hi-Torque	3 Blade	7"	60"	Optional
BXBC2740-72	27-40	No	Hi-Torque	3 Blade	7"	72"	Optional
BXBC2740-78	27-40	No	Hi-Torque	3 Blade	7"	78"	Optional
BXXBC1730-60MT	17-30	Yes	Piston	3 Blade	7"	60"	Included
BXXBC1730-72MT	17-30	Yes	Piston	3 Blade	7"	72"	Included
BXXBC1730-78MT	17-30	Yes	Piston	3 Blade	7"	78"	Included
BXXBC3048-60MT	30-48	Yes	Piston	3 Blade	7"	60"	Included
BXXBC3048-72MT	30-48	Yes	Piston	3 Blade	7"	72"	Included
BXXBC3048-78MT	30-48	Yes	Piston	3 Blade	7"	78"	Included



Manufactured in the USA

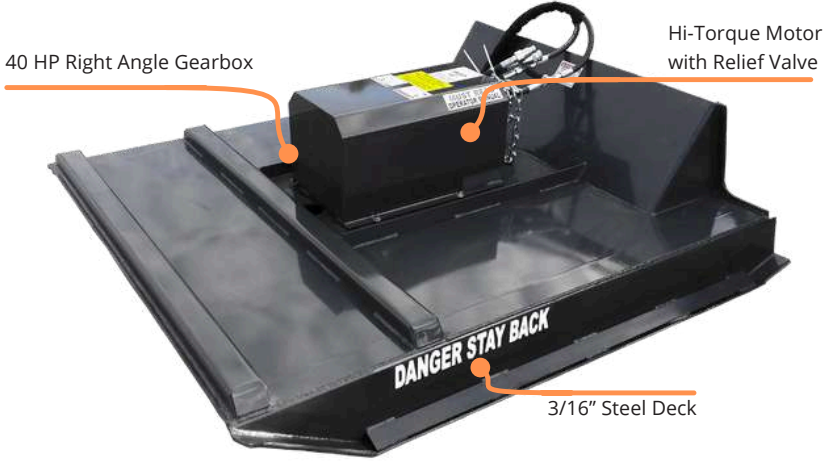
WWW.EXTREMEDUTYATTACHMENTS.COM

570-367-1851

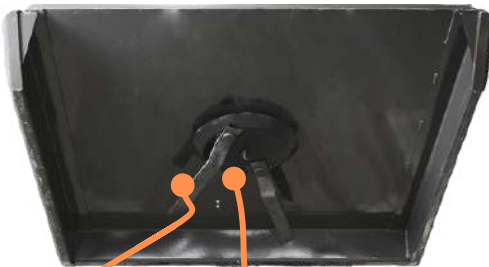
VERSA FLAT DECK BRUSH CUTTER



Our Versa Flat Deck Brush Cutters are ideal for clearing light brush and saplings up to 3". It features a replaceable stump jumper blade kit shown below.

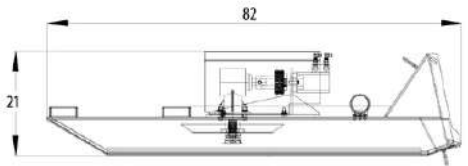


Models	GPM	Case Drain	Blade Holder	Cut Capacity	Cut Diameter
ASDBCFD60 ASDBCFD72 ASDBCFD78	14-20	None Required	2 Blade Stump Jumper	3"	60" 72" 78"



2 Steel Blades
Cut up to 3"

Stump Jumper



Manufactured in the USA

WWW.EXTREMEDUTYATTACHMENTS.COM

570-367-1851

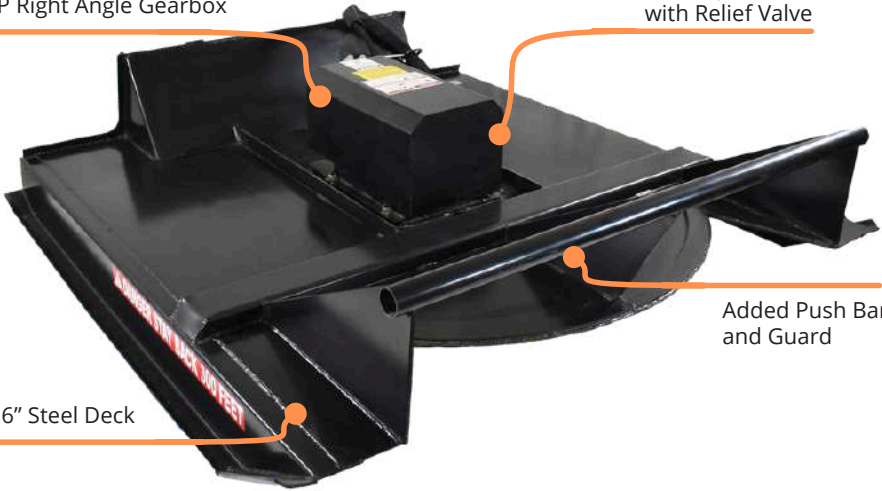
VERSA OPEN FRONT BRUSH CUTTER



Our Versa Open Front Brush Cutters are ideal for clearing large areas of undergrowth brush, and saplings up to 3".

40 HP Right Angle Gearbox

Hi-Torque Motor with Relief Valve



Added Push Bar and Guard

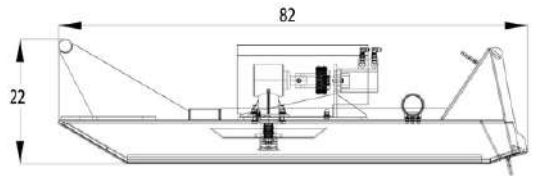
3/16" Steel Deck

Models	GPM	Case Drain	Blade Holder	Cut Capacity	Cut Diameter
ASDBC60 ASDBC72 ASDBC78	14-20	None Required	2 Blade Stump Jumper	3"	60" 72" 78"



2 Steel Blades
Cut up to 3"

Stump Jumper



Manufactured in the USA

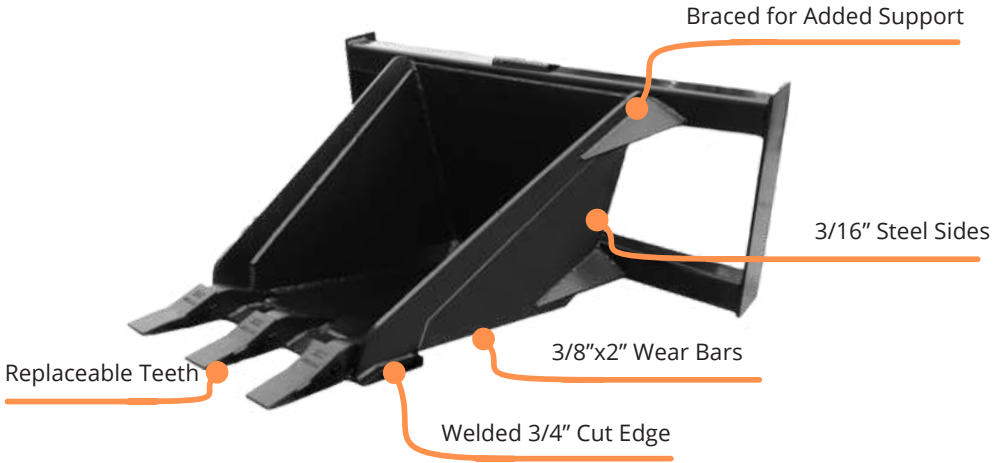
WWW.EXTREMEDUTYATTACHMENTS.COM

570-367-1851

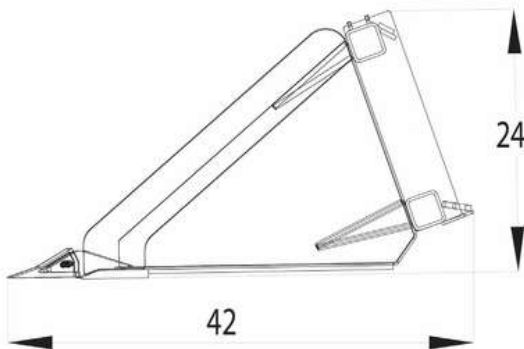
HEAVY DUTY STUMP BUCKET



Dig footings for home foundations, or easily remove stubborn trees and stumps.



Models	Sides	Frame	Edge	Teeth
NBHDSB	3/16" Formed Wrap	3" x 3" x 1/4" Tubing	3/4"x6" Welded Edge	Yes



Manufactured in the USA

WWW.EXTREMEDUTYATTACHMENTS.COM

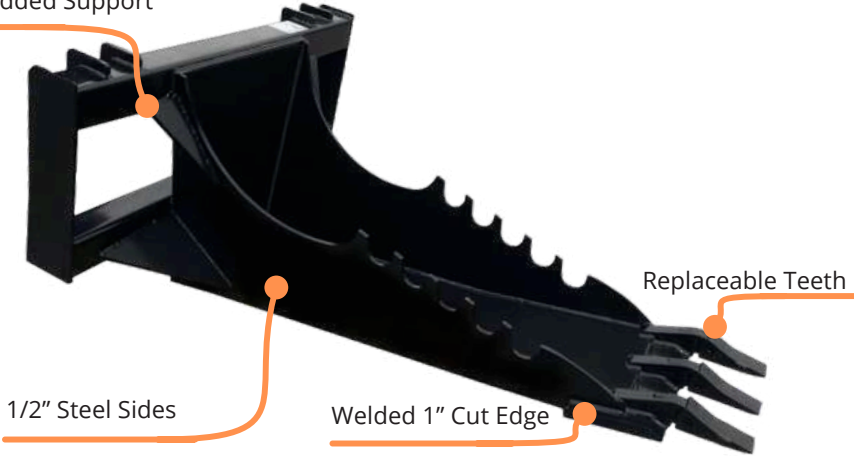
570-367-1851

X-TREME DUTY STUMP BUCKET

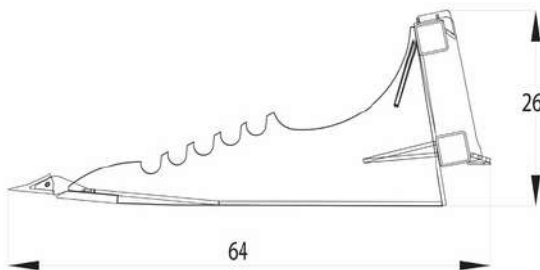


With a longer and stronger reach, the X-Treme Stump Bucket can be used under more demanding applications to remove trees, or stumps, or to help dig footings.

Braced for Added Support



Models	Frame	Edge	Teeth
NBXS	4" x 4" x 1/4" Tubing	1" x 8" Welded Edge	Yes



Manufactured in the USA

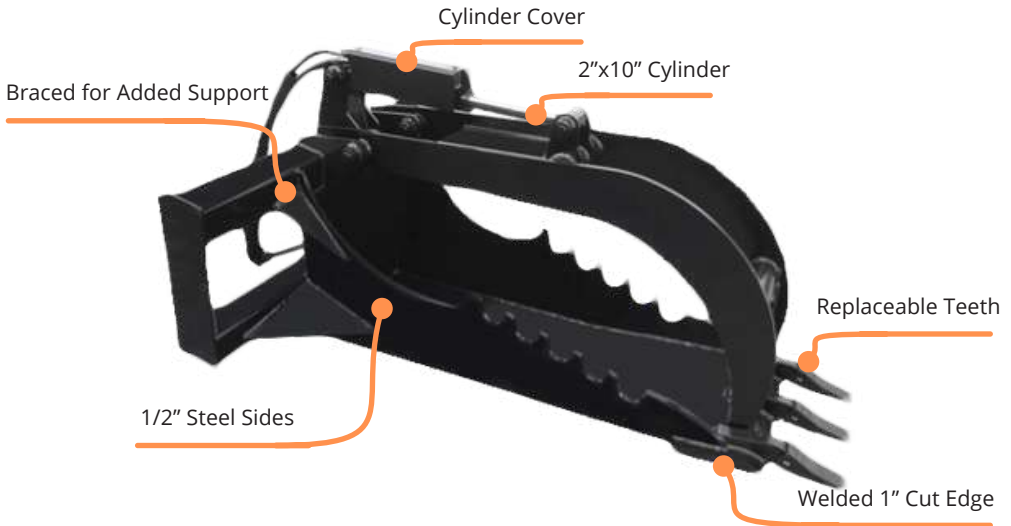
WWW.EXTREMEDUTYATTACHMENTS.COM

570-367-1851

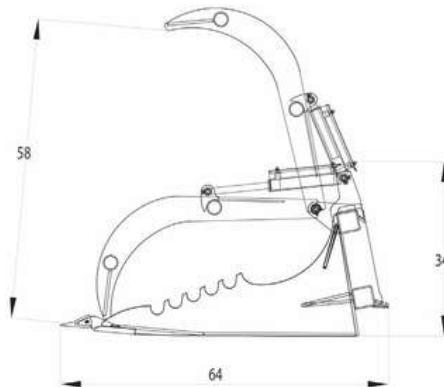
X-TREME DUTY STUMP GRAPPLE



The X-Treme Stump Grapple is built for tough jobs like digging out stumps, prying up rocks, and hauling heavy debris.



Models	Frame	Tine	Edge	Cylinder	Teeth
NBXSG	W 4" x 4" x 1/4" Tubing	1/2" Thickness	1" x 8" Welded Edge	2" x 10"	Yes



Manufactured in the USA

WWW.EXTREMEDUTYATTACHMENTS.COM

570-367-1851

HEAVY DUTY LONG BOTTOM BUCKET



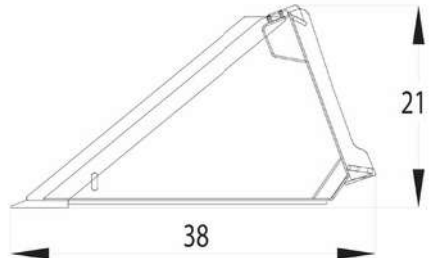
The Heavy Duty Long Bottom Bucket is ideal for picking up logs, rocks, left over building supplies, and other debris. Teeth are optional.



Models	Sides	Edge	Size	Teeth
NBHDLB60	3/16" Formed Wrap	3/4" x 6"	60"	No
NBHDLB66			66"	No
NBHDLB72			72"	No
NBHDLB78			78"	No
NBHDLB81			81"	No
NBHDLB84			84"	No
NBHDLB60T			60"	Yes
NBHDLB66T			66"	Yes
NBHDLB72T			72"	Yes
NBHDLB78T			78"	Yes
NBHDLB84T			84"	Yes



Shown with optional teeth.



Manufactured in the USA

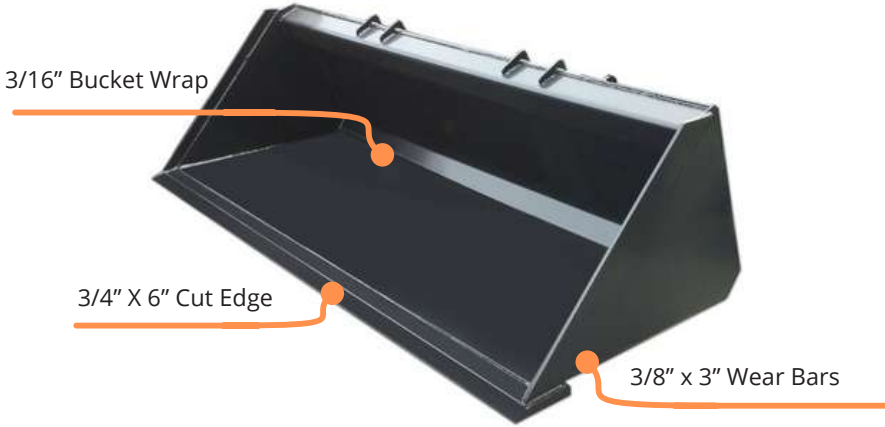
WWW.EXTREMEDUTYATTACHMENTS.COM

570-367-1851

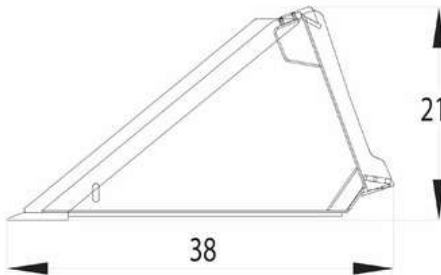
HEAVY DUTY LOW PROFILE BUCKET



The Heavy Duty Low Profile Bucket is great for heavier duty applications where a little more strength is needed. It's great for picking up logs, rocks, left over building supplies, or any other type of debris. Teeth are optional.



Models	Sides	Edge	Wear Bar	Size	Teeth
NBHDLPB60	3/16" Formed Wrap	3/4" x 6"	3/8" x 3"	60"	No
NBHDLPB66				66"	No
NBHDLPB72				72"	No
NBHDLPB74				74"	No
NBHDLPB78				78"	No
NBHDLPB81				81"	No
NBHDLPB84				84"	No
NBHDLPB60T				60"	Yes
NBHDLPB66T				66"	Yes
NBHDLPB72T				72"	Yes
NBHDLPB74T				74"	Yes
NBHDLPB78T				78"	Yes
NBHDLPB81T				81"	Yes
NBHDLPB84T				84"	Yes



Shown with optional teeth.



Manufactured in the USA

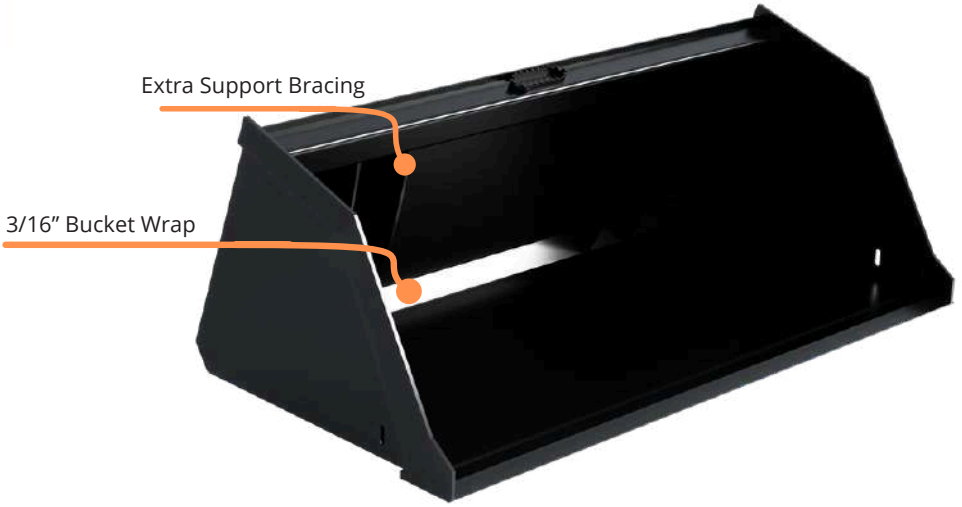
WWW.EXTREMEDUTYATTACHMENTS.COM

570-367-1851

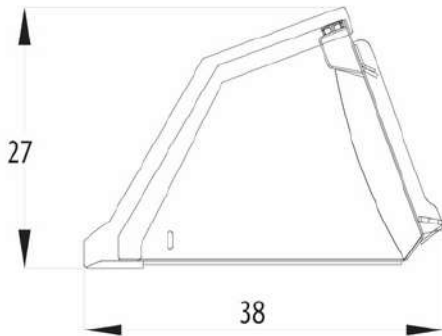
SNOW AND LITTER BUCKET



The Snow and Litter Bucket is ideal for large volume, low weight material such as snow, mulch, litter, manure, and sawdust.



Models	Sides	Edge	Size	Weight
NBSNLB60	3/16" Formed Wrap	3/4" x 6"	60"	329 lbs
NBSNLB66			66"	478 lbs
NBSNLB72			72"	497 lbs
NBSNLB78			78"	539 lbs
NBSNLB84			84"	565 lbs
NBSNLB96			96"	657 lbs



Manufactured in the USA

WWW.EXTREMEDUTYATTACHMENTS.COM

570-367-1851

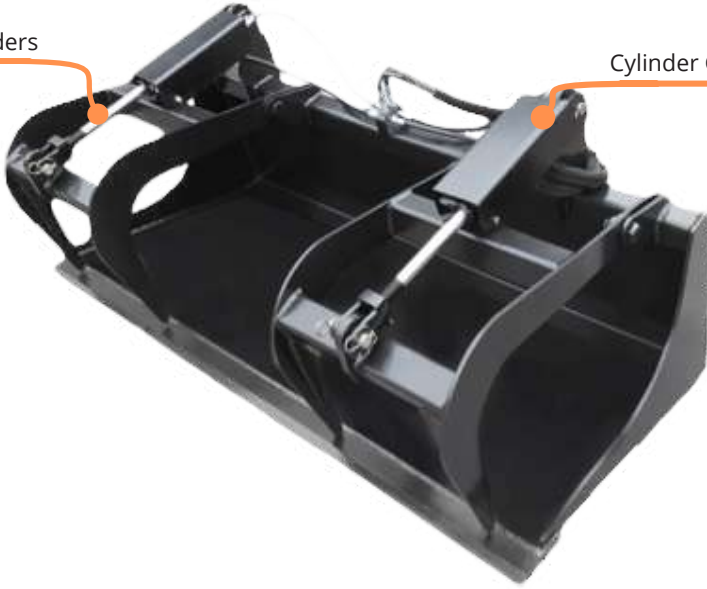
ECONOMY GRAPPLE BUCKET



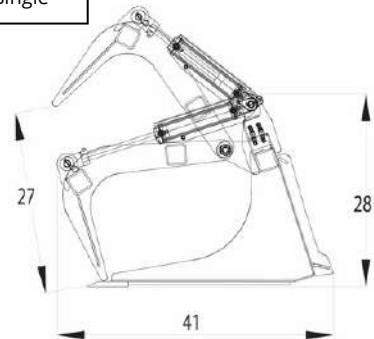
The Economy Grapple Bucket is great for picking up piles of debris, rocks, short logs, and other material.

2" X 8" Cylinders

Cylinder Covers



Models	Sides	Edge	Rated For	Size	Cylinders/ Tines
EGB60	5/16"	3/4" x 6"	Up to 45HP	60"	Double
EGB66				66"	Double
EGB72				72"	Double
EGB78				78"	Double
EGB48SC				48"	Single
EGB60SC				60"	Single
EGB66SC				66"	Single
EGB72SC				72"	Single



Manufactured in the USA

WWW.EXTREMEDUTYATTACHMENTS.COM

570-367-1851

HEAVY-DUTY GRAPPLE BUCKET



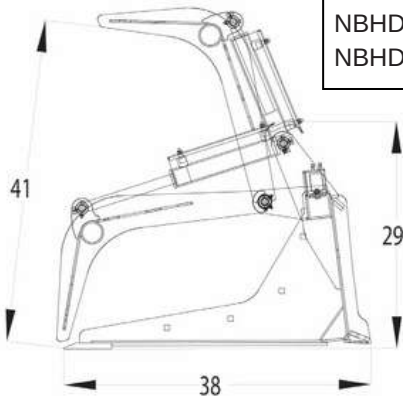
The Heavy Duty Grapple Bucket is ideal for picking up logs, rocks, left over building supplies, or any other type of debris. (Shown with optional Bolt-on sides)

Grease Fittings At Every Pivot Point

2" X 10" Cylinders



Models	Sides	Edge	Weight
NBHDGB66	1/2"	3/4" x 6"	775 lbs
NBHDGB72			840 lbs
NBHDGB74			849 lbs
NBHDGB78			866 lbs
NBHDGB84			1015 lbs



Manufactured in the USA

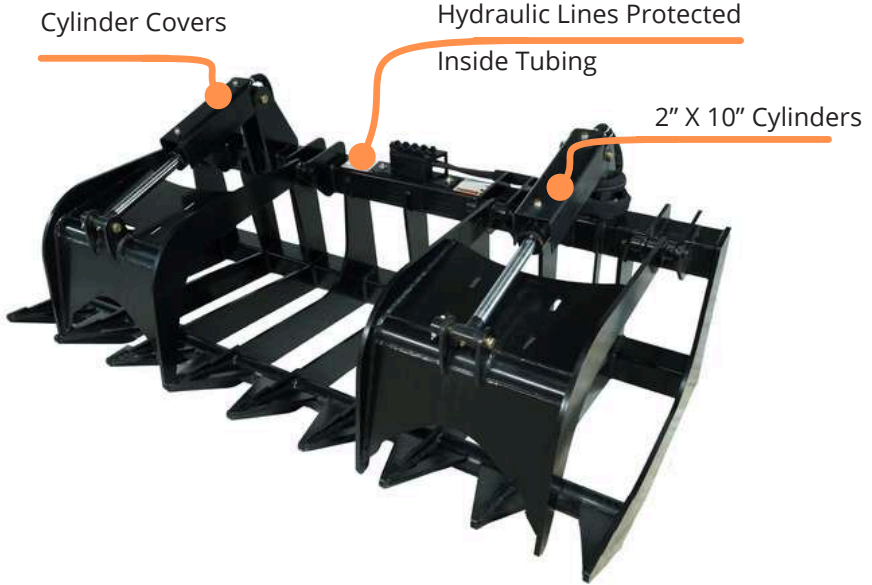
WWW.EXTREMEDUTYATTACHMENTS.COM

570-367-1851

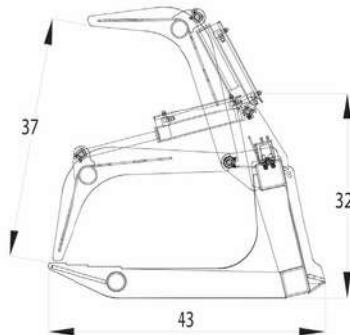
HEAVY-DUTY ROOT GRAPPLE



This Heavy Duty Root Grapple is built for tougher jobs like land clearing, storm cleanup, and moving large, heavy debris. Its stronger tines and reinforced construction are ideal for demanding work conditions.



Models	Tine Thickness	Tine Spacing	Frame	Size	Weight
NBHDRG60	1/2"	Varies by Size	4" x 4" x 1/4" Tubing	60"	711 lbs
NBHDRG66				66"	722 lbs
NBHDRG72				72"	770 lbs
NBHDRG78				78"	748 lbs
NBHDRG81				81"	821 lbs
NBHDRG84				84"	826 lbs



Manufactured in the USA

WWW.EXTREMEDUTYATTACHMENTS.COM

570-367-1851

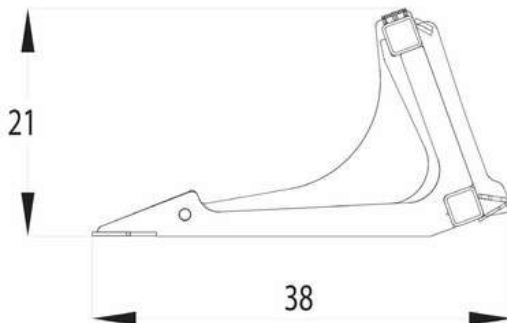
STANDARD DUTY VERSA ROCK BUCKET



The Standard Duty Rock Bucket easily sifts through loose soil, to remove unwanted rock and debris.



Models	Tine Thickness	Tine Spacing	Size	Frame
SDVTRB60	5/16"	Approx. 3"	60"	3" x 3 x " 1/4" Tubing
SDVTRB63			63"	
SDVTRB66			66"	
SDVTRB72			72"	
SDVTRB78			78"	
SDVTRB81			81"	
SDVTRB84			84"	



Manufactured in the USA

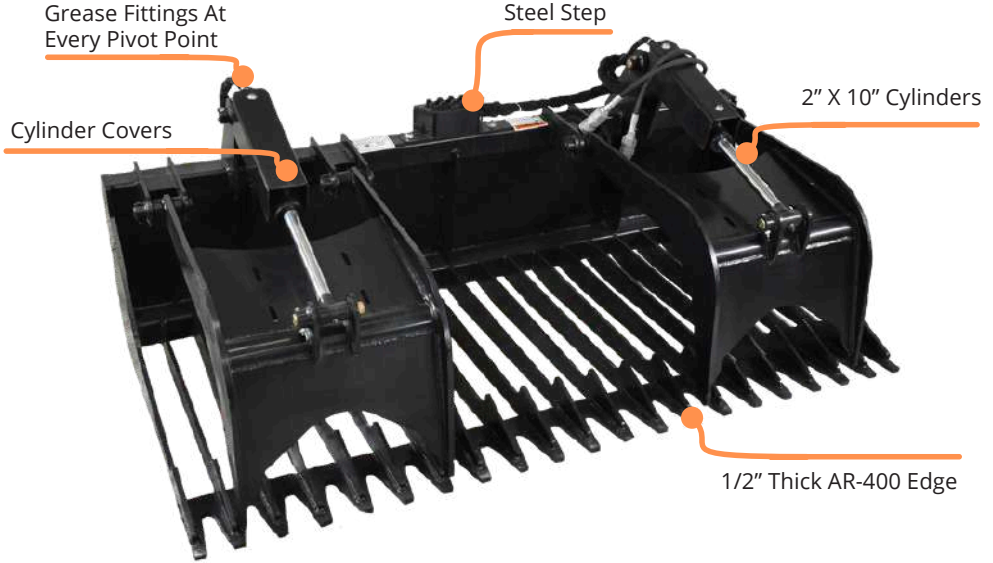
WWW.EXTREMEDUTYATTACHMENTS.COM

570-367-1851

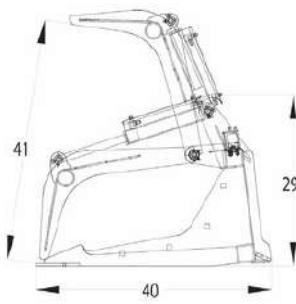
HEAVY DUTY ROCK GRAPPLE



This Heavy-Duty Rock Grapple is designed to sift, sort, and transport rocks and other tough debris. Its thick, reinforced tines can handle heavy loads while allowing dirt and smaller materials to fall through.



Models	Tine Thickness	Tine Spacing	Size	Frame	Weight
NBHDROKG66	3/8"	Approx. 3"	66"	3" x 3" x 1/4" Tubing	694 lbs
NBHDROKG72			72"		728 lbs
NBHDROKG78			78"		755 lbs



Manufactured in the USA

WWW.EXTREMEDUTYATTACHMENTS.COM

570-367-1851

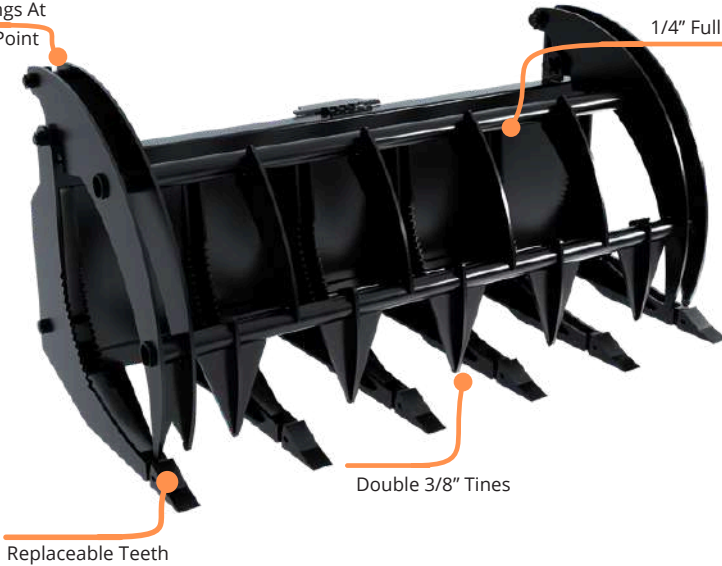
HEAVY DUTY GRAPPLE RAKE



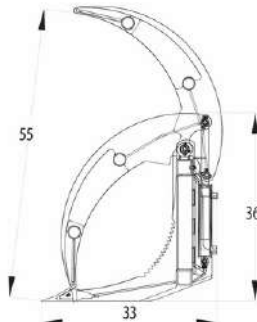
With heavy-duty construction and replaceable teeth for tearing through roots, logs, and debris, the Heavy Duty Grapple Rake is built to last.

Grease Fittings At Every Pivot Point

1/4" Full Back Plate



Models	Tine Thickness	Cylinders	Size	Teeth
NBXDGR66	3/8"	2" x 10"	66"	Yes
NBXDGR72T			72"	Yes
NBXDGR74T			74"	Yes
NBXDGR78T			78"	Yes
NBXDGR81T			81"	Yes
NBXDGR84T			84"	Yes



Manufactured in the USA

WWW.EXTREMEDUTYATTACHMENTS.COM

570-367-1851

X-TREME DUTY GRAPPLE RAKE



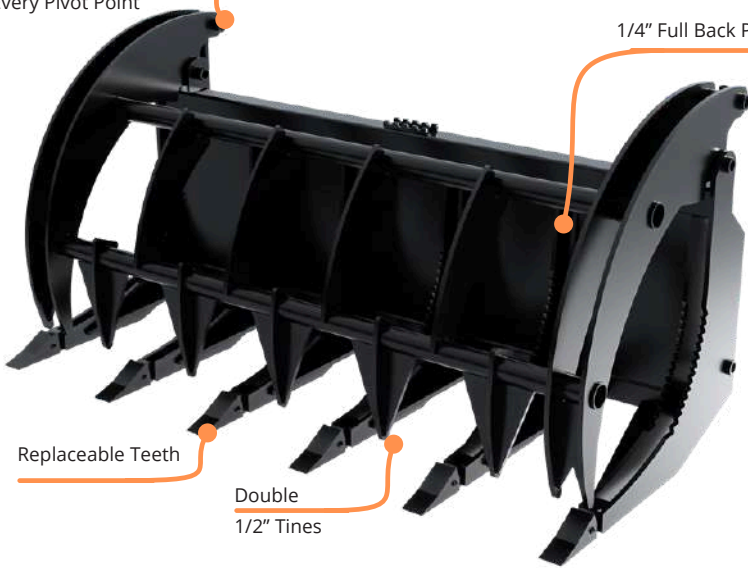
This X-Treme Grapple Rake is built for serious land clearing and demolition, featuring heavy-duty construction and replaceable teeth for tearing through roots, logs, and dense debris with maximum efficiency and longevity.

Grease Fittings At Every Pivot Point

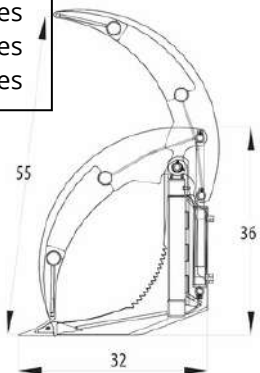
1/4" Full Back Plate

Replaceable Teeth

Double 1/2" Tines



Models	Tine Thickness	Cylinders	Size	Teeth
NBHDGR66T	1/2"	2" x 10"	66"	Yes
NBHDGR72T			72"	Yes
NBHDGR74T			74"	Yes
NBHDGR78T			78"	Yes
NBHDGR81T			81"	Yes
NBHDGR84T			84"	Yes



Manufactured in the USA

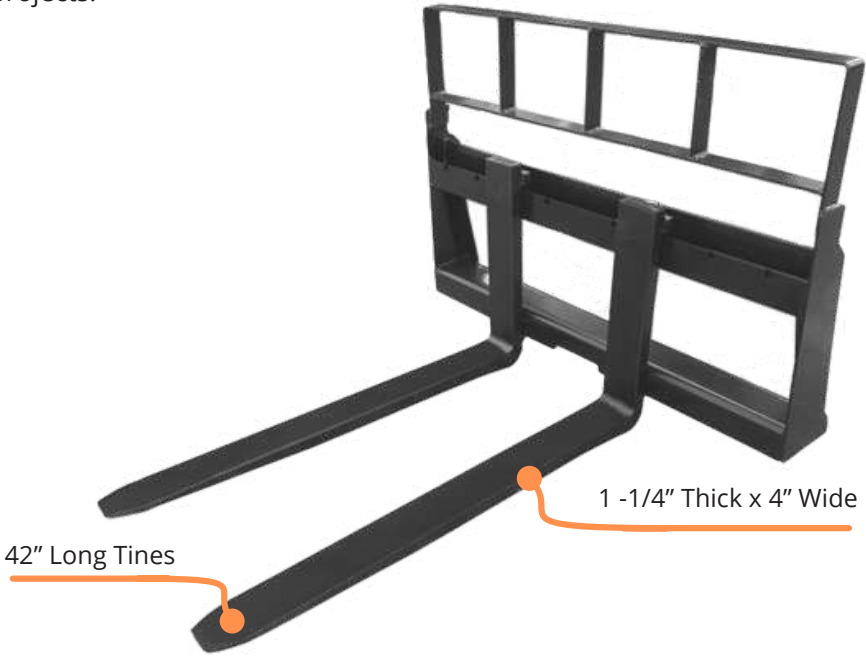
WWW.EXTREMEDUTYATTACHMENTS.COM

570-367-1851

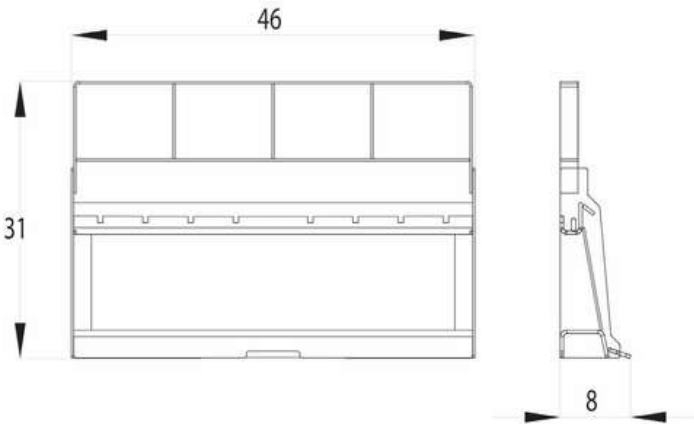
STANDARD DUTY FORKS & FRAME



Standard Duty Forks are ideal for lifting pallets, loading lumber and many other projects.



Models	Weight	Rated For
NBSDFRAME	125 lbs	2,800 lbs



Manufactured in the USA

WWW.EXTREMEDUTYATTACHMENTS.COM

570-367-1851

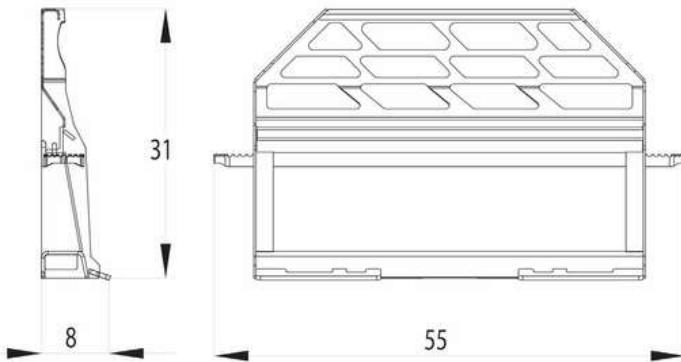
HEAVY-DUTY FORKS & FRAME



These Heavy Duty Forks and Frame are designed for everyday material handling tasks like lifting pallets, logs, or bundled materials, offering reliable performance and durability for general-purpose use around the jobsite or farm



Models	Weight	Rated For
NBHDFRAME	155 lbs	4,000 lbs



Manufactured in the USA

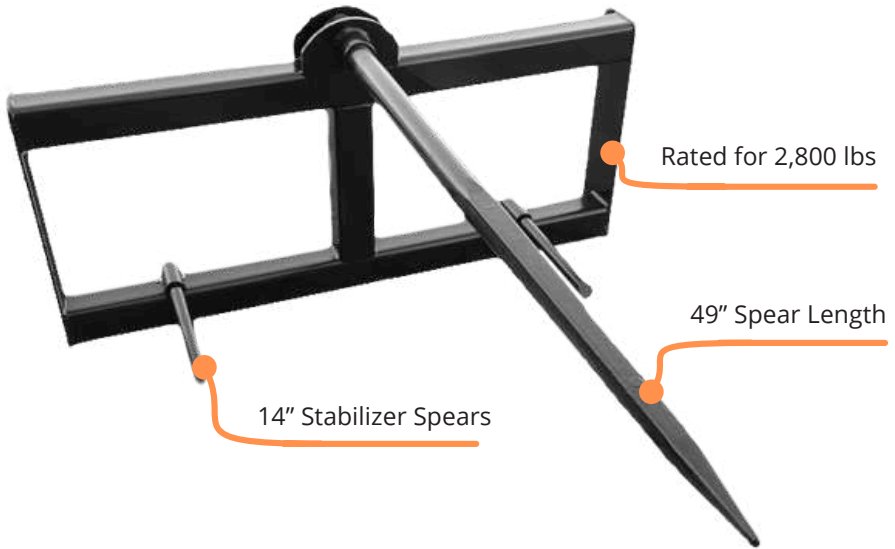
WWW.EXTREMEDUTYATTACHMENTS.COM

570-367-1851

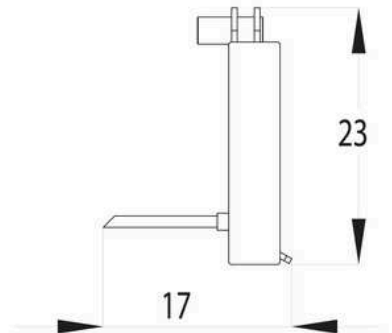
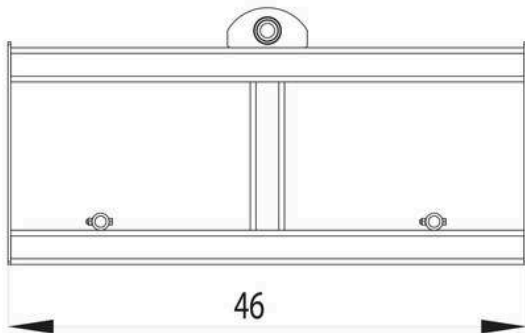
LOW BACK HAY SPEAR



This Low Back Hay Spear is rated for 2,800 lbs and is ideal for moving round bales while offering better rear visibility for quick, efficient loading.



Models	Weight	Rated For	Tine Strength	Stabilizer Spear
NBLBHS	186 lbs	2,800 lbs	49"	2x - 14"



Manufactured in the USA

WWW.EXTREMEDUTYATTACHMENTS.COM

570-367-1851

WHO WE ARE



Extreme Duty Attachments is a trusted, family-owned sales and fabricator based in Mill Hall, PA. With deep roots in the equipment rental industry, we understand the challenges of equipment failures and subpar performance. That's why we are committed to crafting high-quality, reliable attachments backed by robust warranties, including an industry-leading 3-year warranty on select products like our auger drives. Our focus on exceptional customer service ensures prompt product availability and fast turnaround times. Additionally, we offer custom manufacturing to deliver tailored solutions that meet your unique needs, providing peace of mind and dependable performance with every purchase.



Manufactured in the USA

WWW.EXTREMEDUTYATTACHMENTS.COM

570-367-1851